

Figure I 2. Measurements of Spirit Duette. The rubber feet have not been mounted yet, these are 20 mm high and have a diameter of 50 mm.



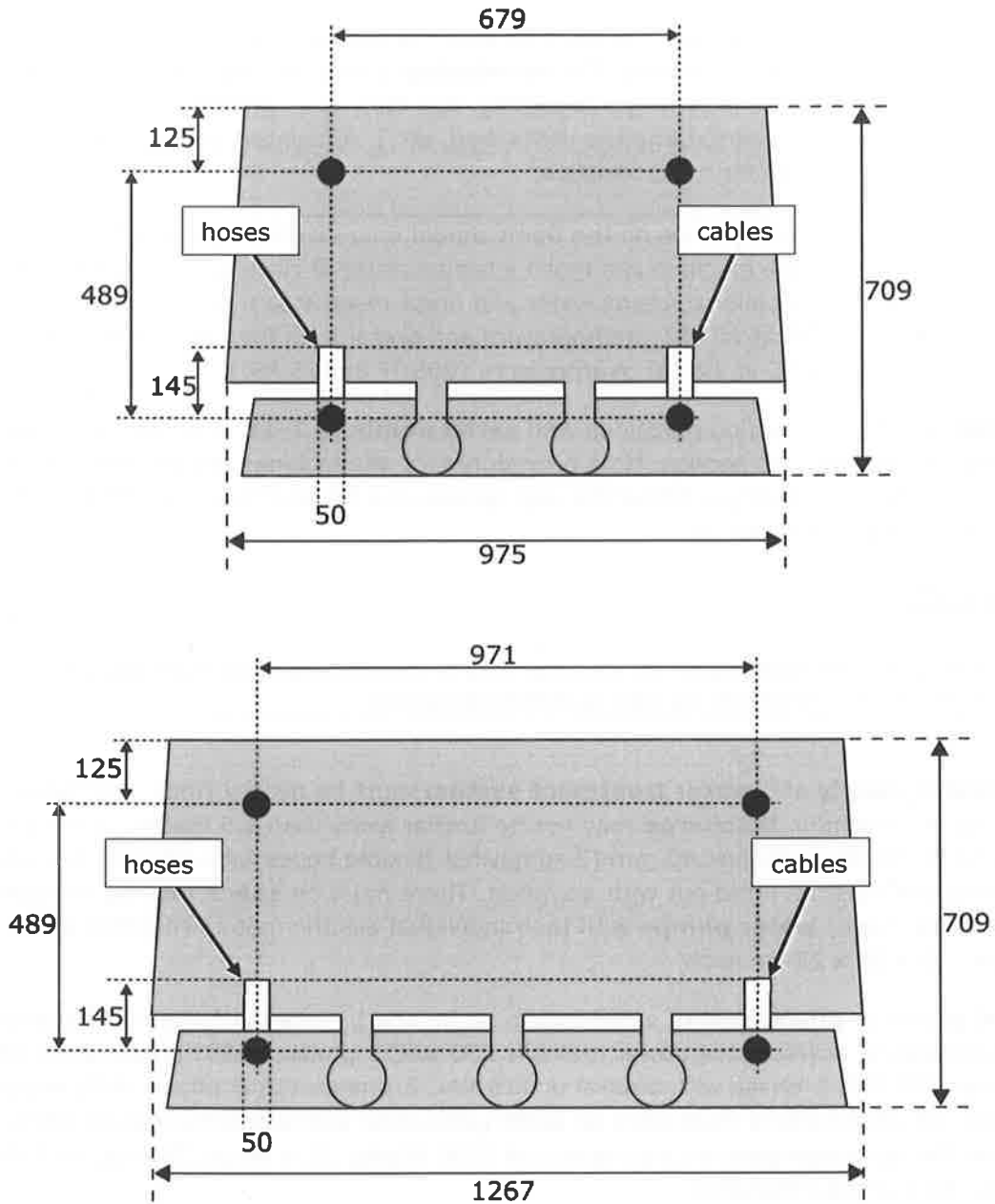


Figure I 1. Footprints of Spirit Duette (top) and Triplette (bottom). Measurements in millimetres.

Black circle

White rectangles

Machine foot (diameter = 50 mm)

Suggested locations for openings behind front feet to feed connections through the countertop

Minimum sizes of countertop openings

Pump hoses	35 mm (connector diameter is 22 mm, hose is 12 mm)
2 drain hoses	40 mm (20 mm each)
Pump + drain hoses	40 mm (insert pump hoses first)
Electric cables	20 mm (mains cable plus 2 pump cables, no mains plug)
All feeds through 1 opening	55 mm (insert pump hoses first, no mains plug)



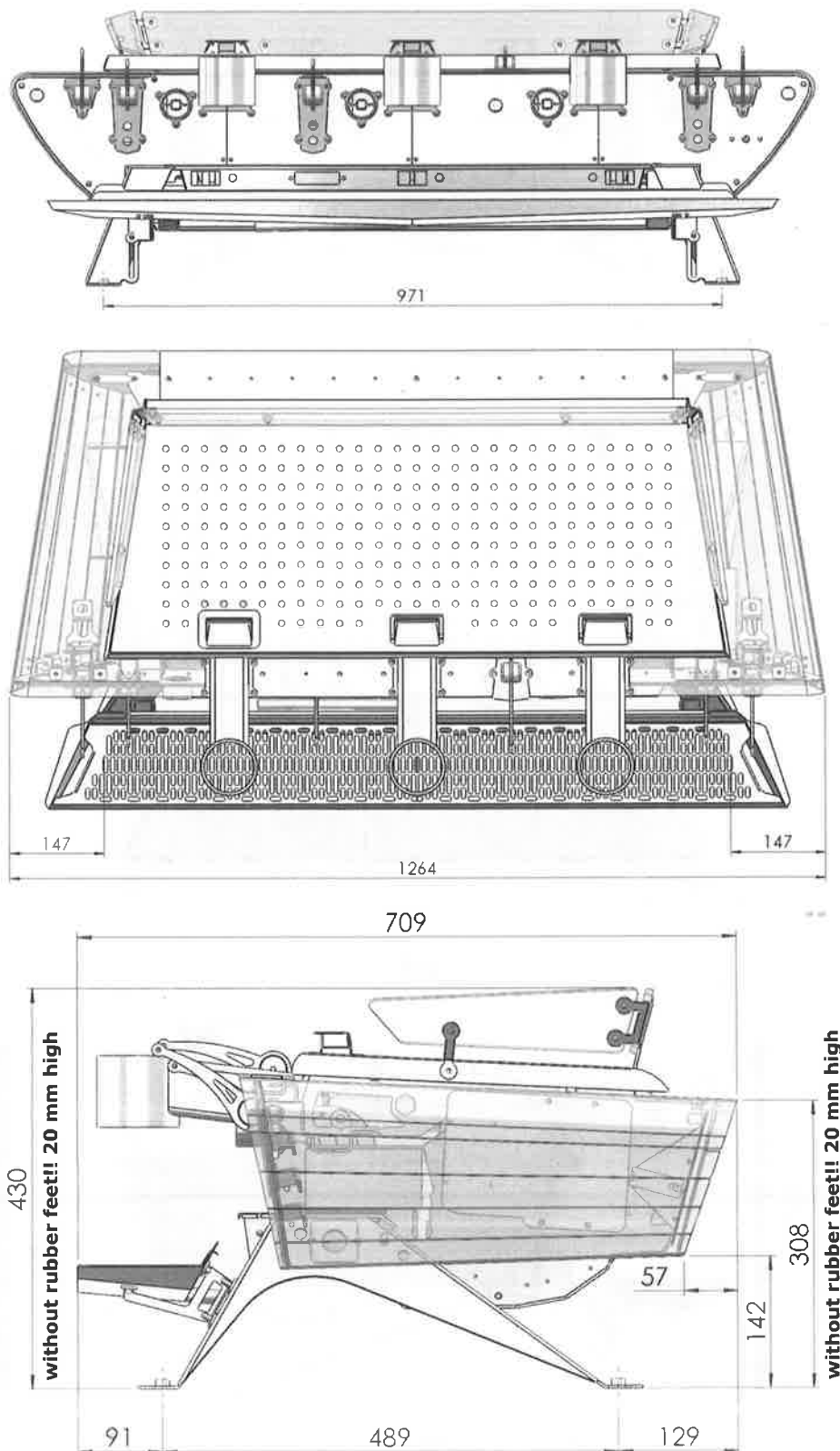


Figure I 3. Measurements of Spirit Triplette. The rubber feet have not been mounted yet, these are 20 mm high and have a diameter of 50 mm.



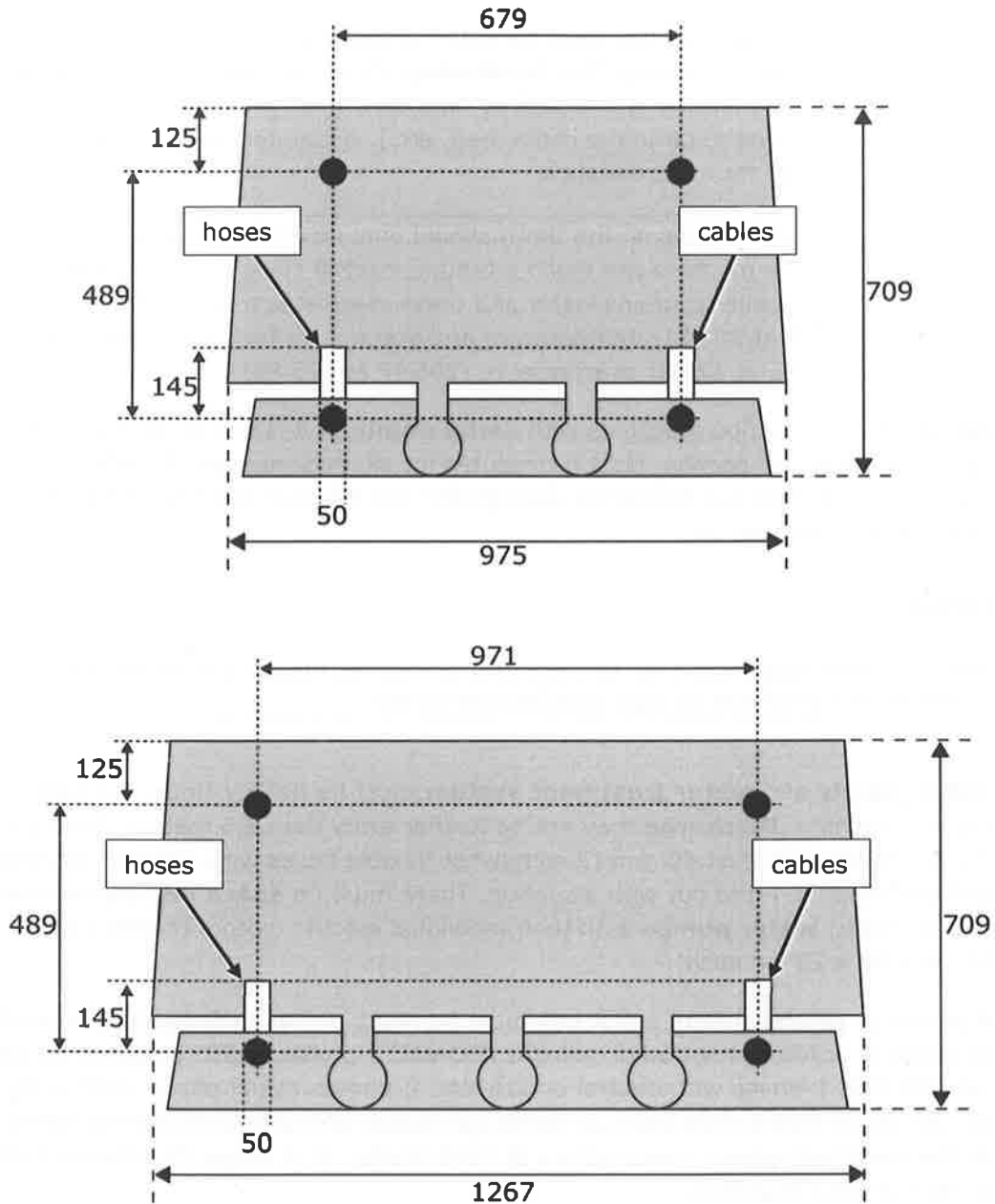


Figure I 1. Footprints of Spirit Duette (top) and Triplette (bottom). Measurements in millimetres.

Black circle

White rectangles

Machine foot (diameter = 50 mm)

Suggested locations for openings behind front feet to feed connections through the countertop

Minimum sizes of countertop openings

Pump hoses

2 drain hoses

Pump + drain hoses

Electric cables

All feeds through 1 opening

35 mm (connector diameter is 22 mm, hose is 12 mm)

40 mm (20 mm each)

40 mm (insert pump hoses first)

20 mm (mains cable plus 2 pump cables, no mains plug)

55 mm (insert pump hoses first, no mains plug)

