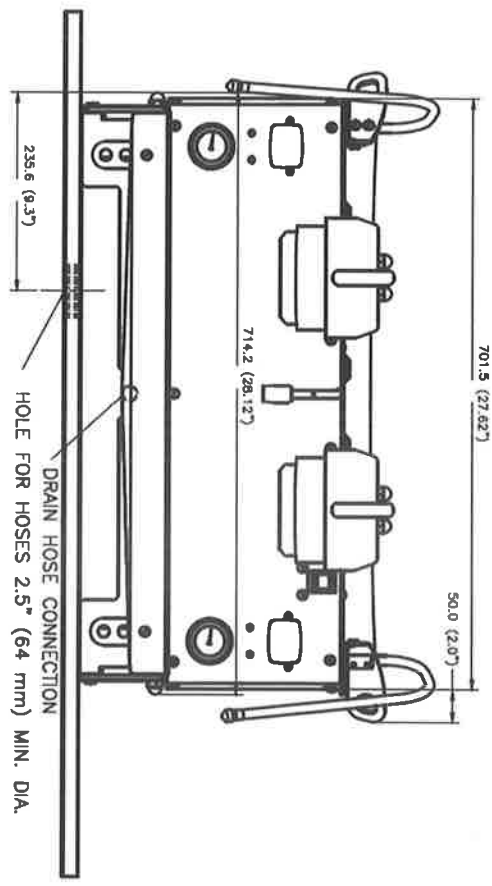
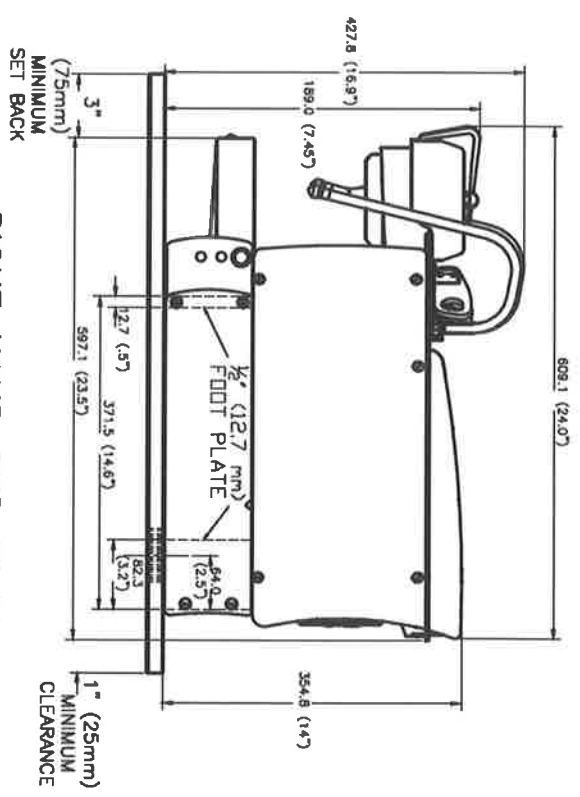


INSTALLATION & WORK STATION

10



FRONT VIEW



RIGHT HAND END VIEW

